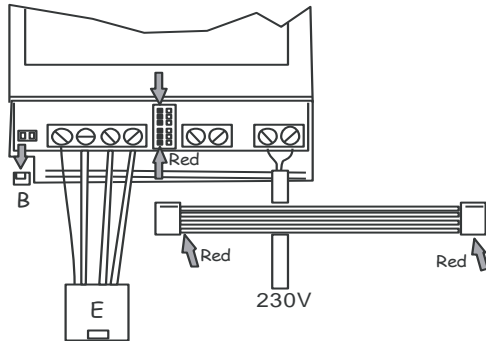
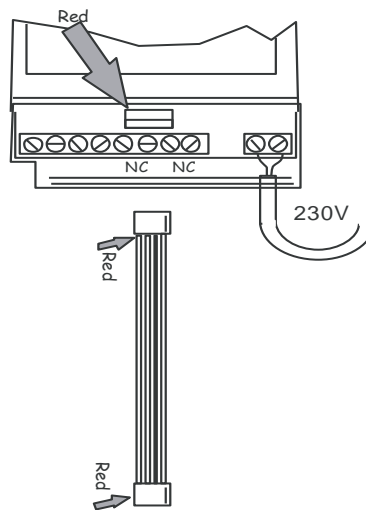


DBOX30/RGBOX30



RGBOX50



CONNECTION OF DBOX30/RGBOX TO A TTL INTERFACE

- 1) Take the fitted 5leads connector
- 2) Connect from one side to the suited connector placed on DBOX/RGBOX
- 3) Remove at the other side of the lead the end connector and connect the 5 leads as follows:
 - red lead to be left aside alone (not connect)
 - black lead: earthing
 - red/green/blue leads are the TTL signal inputs
- 4) REMOVE the black jumper placed on the left side of the DBOX/RGBOX