

HX-WIFI-V01

WIFI-LED Controller with RF touch remote

WIFI-V01 controller appeared with the installation of controlling software on mobile devices with Android or IOS system, such as android phone, Iphone, tablet PCs, they can remote control LED lighting products through Wi-Fi, which makes LED control more intelligent and humanization. One WIFI-V01 controller can be used as dimmer, CT controller, and RGB controller, only need to select the right control interface in the software. In addition, this model has DIY function. Users can get any effect they want based on our controlling software. If you don't have any mobile devices with the controlling software at hand, you could also use our RF remote control to control it. This model designed for constant voltage led products, such as led strip, led modules. For controlling more led products, amplifier is available.



Product Feature

- Support both Wi-Fi control of Apple products (iPod, iPad, Iphone), Android mobile devices like Samsung, HTC, and RF wireless remote control.
- With the 3-in-1(Dimming, CT, RGB) apple/android software. One device suit to different lighting application scene.
- Memory function to save scenes anytime anywhere for next play.
- WIFI-V01 is designed for constant voltage led products, working voltage auto fit to DC12-24V.
- Wi-Fi control based on 2.4GHZ frequency, RF remote control based on 433.92MHz.
- 2 year warranty.

Technical parameters

1. Controller

Working temperature	-20-60℃	Working voltage	DC12~24V
Power consumption	<3W	Connect method	Common anode
WIFI brightness level	100	WIFI speed level	100
Remote control brightness level	32	Remote control speed level	100
N.W.	150g	G.W.	230g
Case dimension	L108*W63*H28mm	Box dimension	L109*W55*H56mm
Output	3 channels	Output current	≤4A(each channel)
WIFI frequency	2.4G	RF remote control frequency	433.92Mhz
Output gray scale	256	Memory function	support
Receiving sensitivity	802.11b:DSSS (-5dBm) 802.11b:CCK(-10dBm) 802.11g:OFDM(-15dBm)		
Output power	12V: ≤144W(3CH) 24V: ≤288W(3CH)		

2. RF remote control

Working temperature	-20-60℃	Power supply	AAA*3
Standby current	7uA	Working voltage	1.5V*3
Working current	10mA	Remote control distance	Up to 30m
RF frequency	433.92Mhz	Power consumption	0.04mW

3. Software

Name	FreeColor V2.0	Platform	Android 2.1 or above, IOS4.3 or above, with the wifi function
Size	Android(661KB) , IOS(1.4MB)		
Category	Communication	Language	English

Using illustration

FreeColor V2.0 installation:



- Android:Scan the QR code to download Freecolor , click the “Freecolor.apk” to start the



installation **FreeColor** .

- IOS : the same as the other software from App Store download the “Freecolor” from App store and install or Scan the QR code to download the freecolor.

Scan the QR code to download Freecolor



Freecolor IOS
APP Store



Freecolor Android
Google Play




Freecolor Android
baidu Skydriver

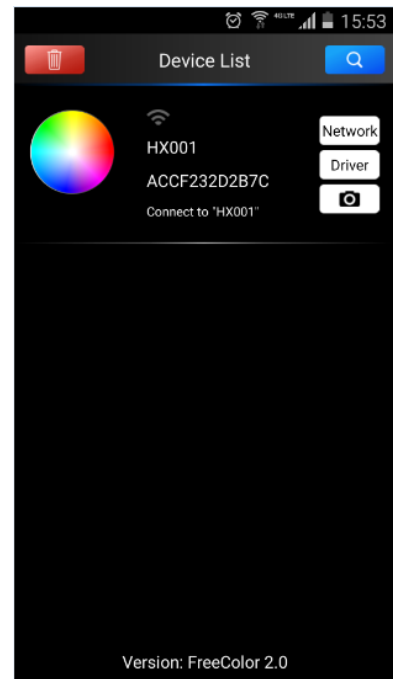
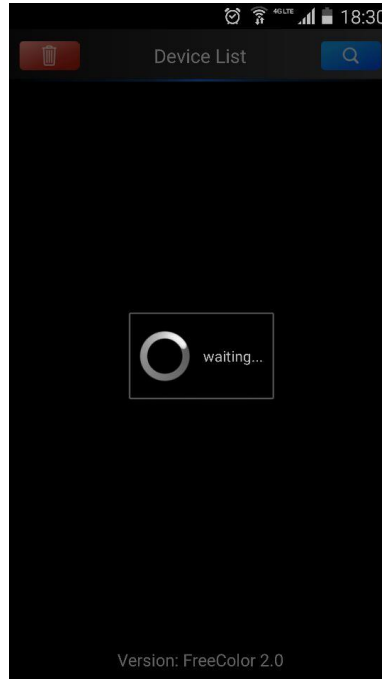
FreeColor V2.0 software Using illustration:

1. Making the WIFI-V01 properly connected, and then turn on the power;

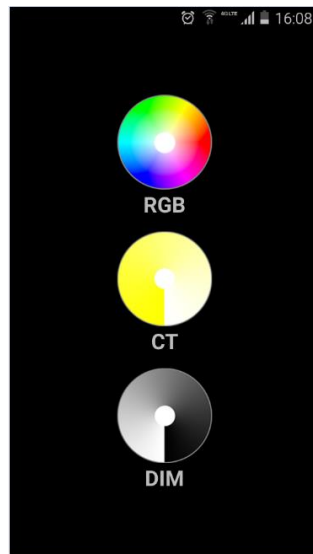
Step 1: find the WIFI network named "HX001" (factory default name) on the phone, and connect it.

Step 2: open the application "Freecolor" on the phone, you will see the application enter the "device list" interface and search the device automatically. If the device is not show in the search result list, click  on the upper right to re-search.

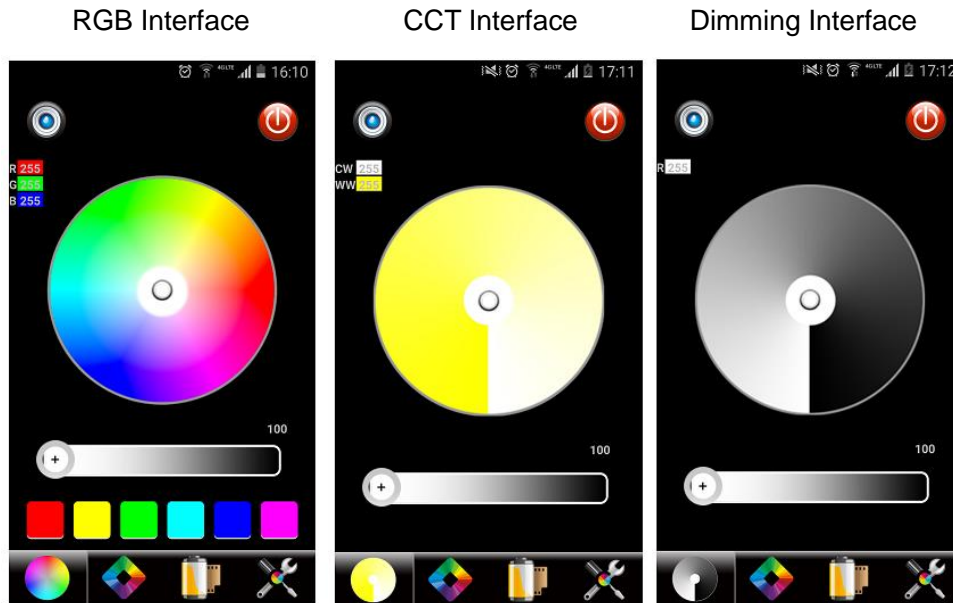
Step 3: Find out the device from the search result list, and click the round icon to go into the main control interface.



("FreeColor" is 3-in-1 (Dimmer, CT, RGB) software. The round icon contains 3 versions for RGB/CCT/DIM, will show RGB version as default, click "Driver" to change to CCT/DIM if needed.)

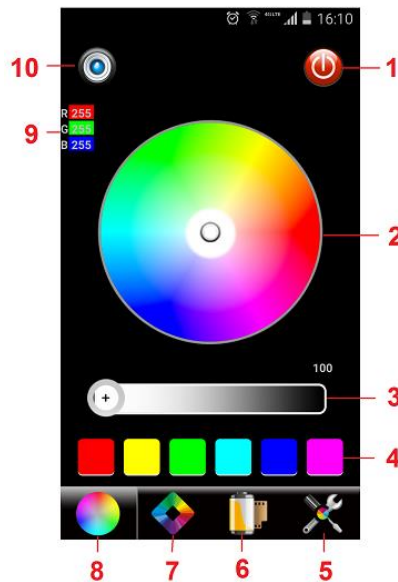


2. The main control interface for RGB/CCT/DIM as below:



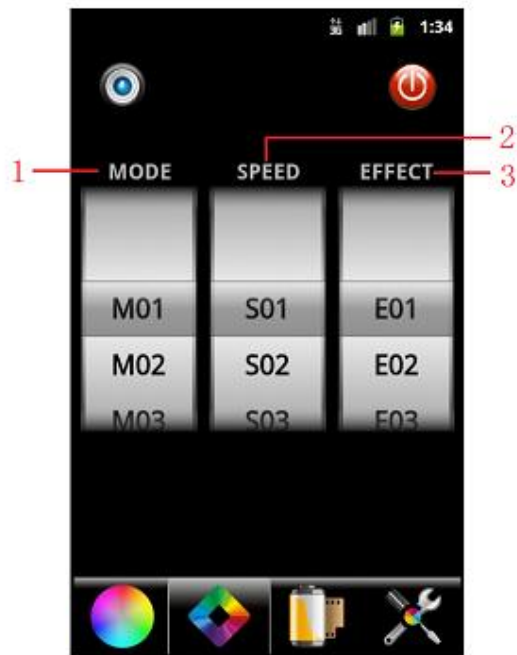
3. Application functions. (Using RGB interface as example, CCT/DIM are same)

1)、RGB control interface



NO.	Button	Function
1	ON/OFF	Turn on/off the light
2	Color board	Select any static color mode from the board.
3	Brightness slip	Slip to adjust the current light brightness, 100 levels in total.
4	Color shortcut key	Quickly to select 6 kinds of common color
5	System setting	Enter to the "Device list", set the WIFI connection and select the application scene (RGB/CCT/DIM).
6	DIY memory function	Go to DIY modes select page. Display the saved DIY modes
7	Dynamic modes	Go to select the dynamic modes.(fade, jump effects)
8	RGB seven color board	Display RGB seven color board
9	Color value	Display the R/G/B gray value, "L": the current brightness level.
10	DIY mode saving key	After DIY, click this key to save. Save any color which you like

2) Dynamic mode interface



- ✧ MODE: select the different dynamic mode, such as flash, fade and etc;
- ✧ SPEED: select the speed level of the dynamic mode, 100 levels in total;
- ✧ EFFECT: select the different effect based on the different mode.

3) DIY modes manage interface:



This page displays all of the DIY modes which have been saved, up to 12 modes in total.

If you need to save the changes you like, you can click the DIY storage key to save and name, then click the DIY memory function, you can select the storage modes.

4. Join to the home network and SSID setting


1) join to the home network

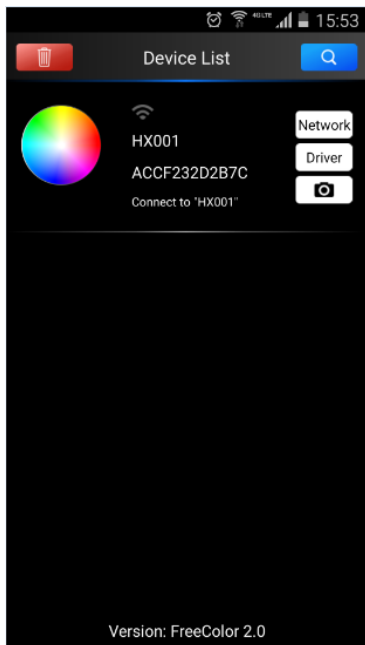
Step 1: Before setting the joining to the home network, connect the phone with the WIFI controller directly as the instruction above.

Step 2: Enter into “Device list” interface after the Step 1; and click “Network” on the right go into setting interface for joining the home network (Figure 1 below).

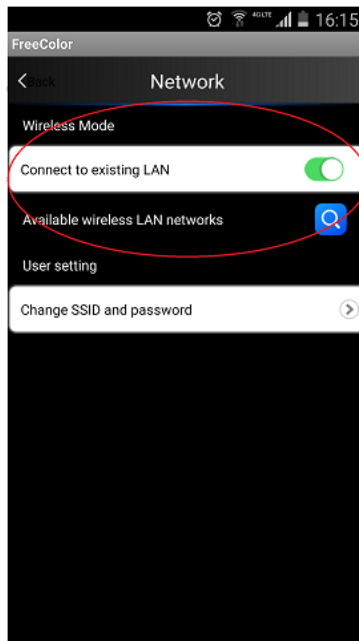
Step 3: Open “Connect to existing LAN” (Figure 2 below), the application will search LAN automatically.

Step 4: Click the LAN which you want to join in(Figure 3 below), will pop up “Enter the SSID password” dialog box, enter your home LAN password and press “OK” to confirm(Figure 4 below). There will show “change wifi success and search again” after success connection(Figure 5 below).

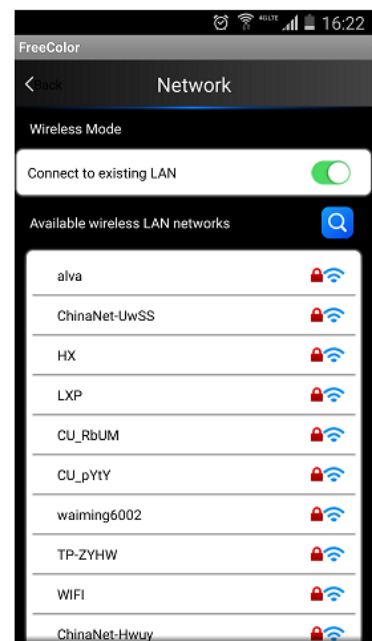
Step 5: The application will back to “Device list” interface automatically after Step 4. Click  on the upper right to re-search, will find the device which have been connected to home LAN well. Click the round icon start to control your light through your home LAN.



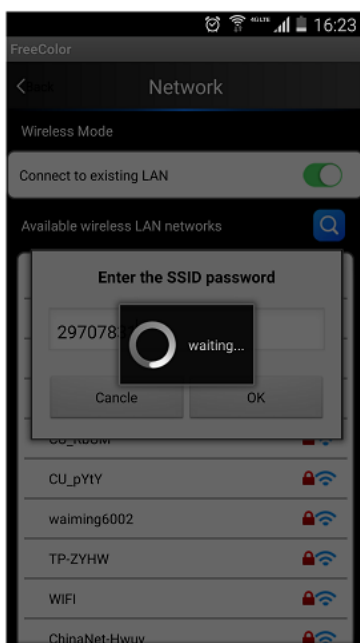
(Figure 1)



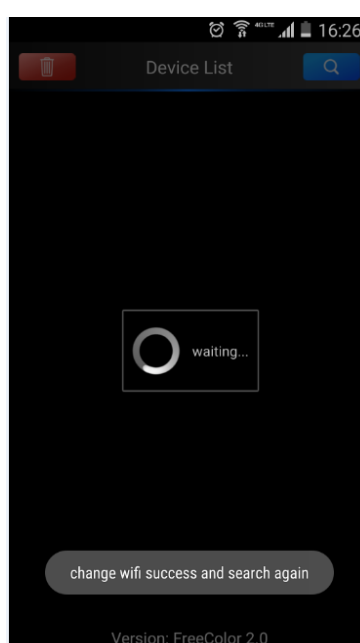
(Figure 2)



(Figure 3)



(Figure 4)

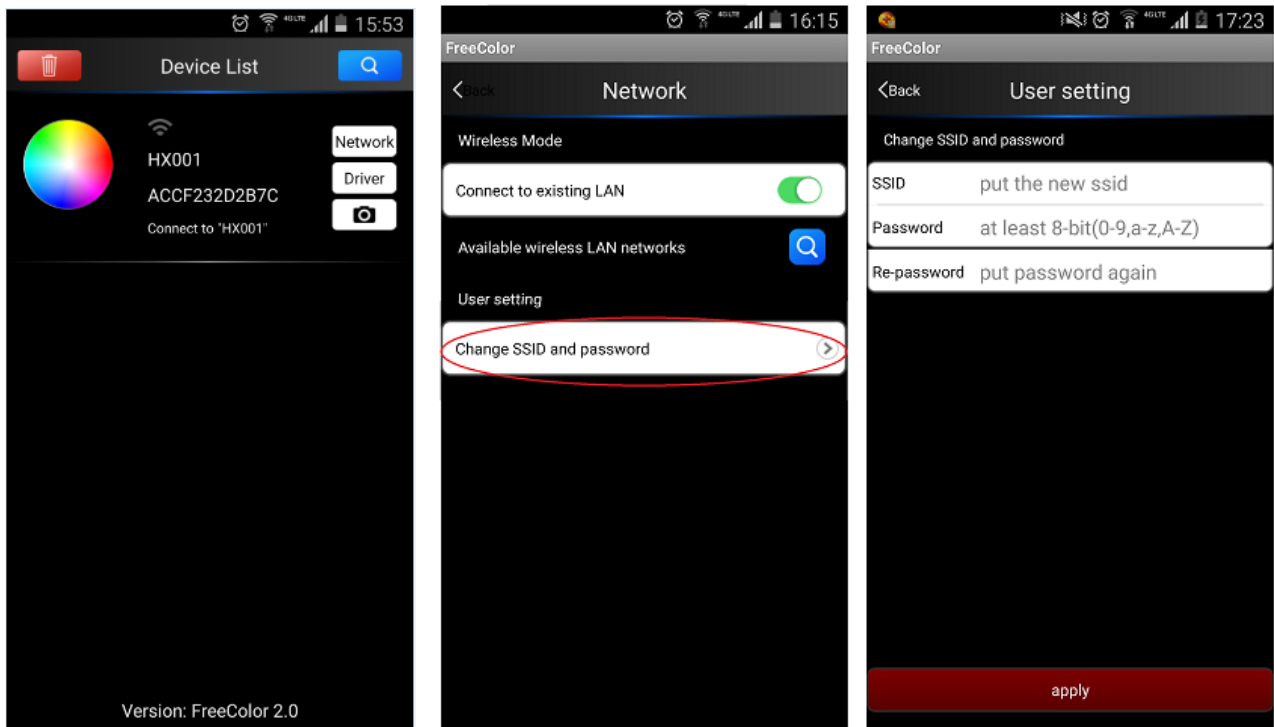


(Figure 5)

2) Resetting SSID username and password

If more than one WIFI-V01 in close area, we can reset the SSID for the devices in order to avoid they jamming each other.

Enter "Device List" interface, click and enter "Network" interface, then click "Change SSID and password" will pop up "User setting" page, key in the SSID name and password, click "apply" to finish and save(The available SSID name are 16 in total, HX001,HX002.....HX016). Re-link the device after success setting.



Controller operation illustration

1. Connector illustration



1. For Dimming: CH1→V-, CH2→V-, CH2→V-, V+→V+;
2. For CT: CH2→WW、CH1→WC、V+→COM;
3. For RGB: CH3→B、CH2→G、CH1→R、V+→COM.

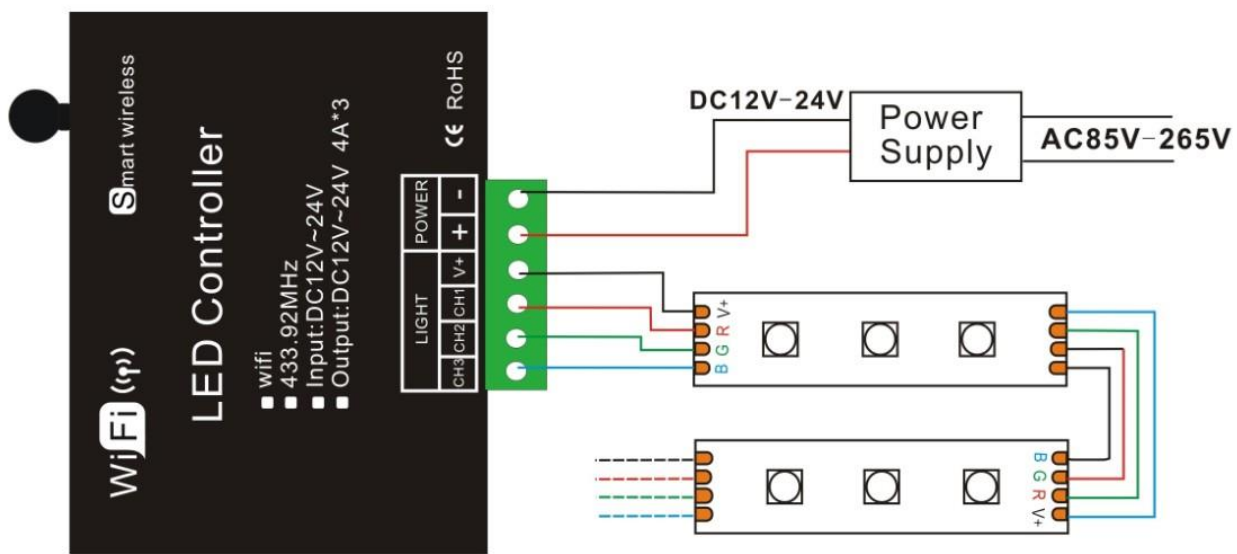
2. Working state instruction

Indicator light	Function table
Power	Power indicator light, long-time bright shows power supply is working normally
Wifi	Long-time bright in normally connection, when receives wifi signal data flicker.
RF	Flickering when receives correct control signal from wifi device or RF remote control; and die out in free time.

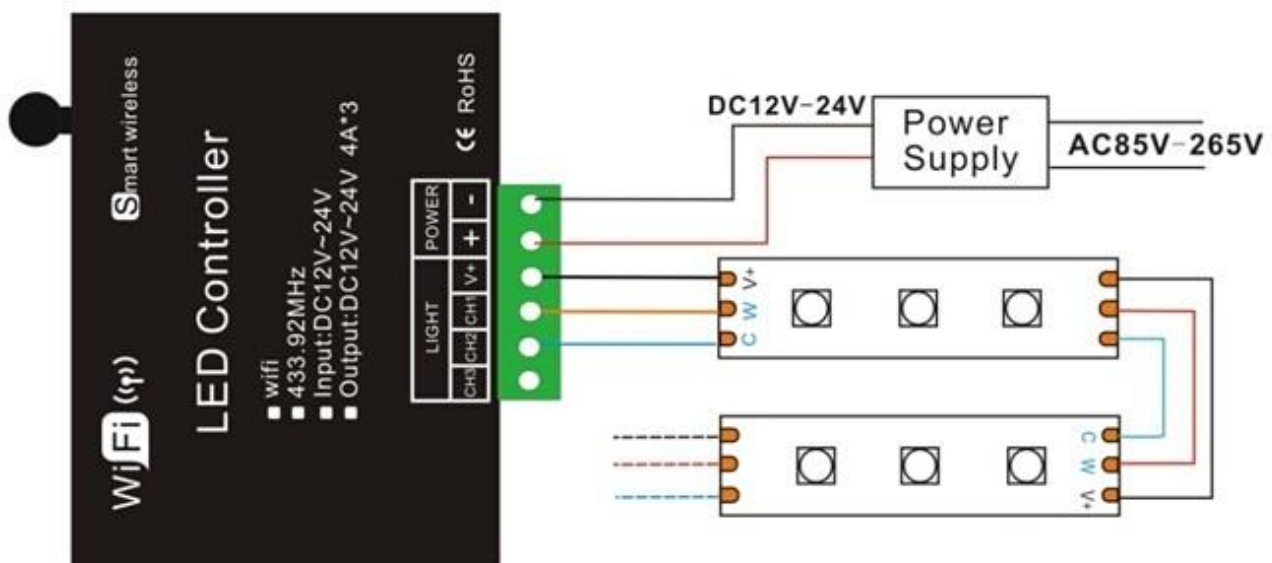
RESET key: Press and hold at least 5 seconds, WIFI previously set data will be cleared to return to the factory default.

3. Controller connection

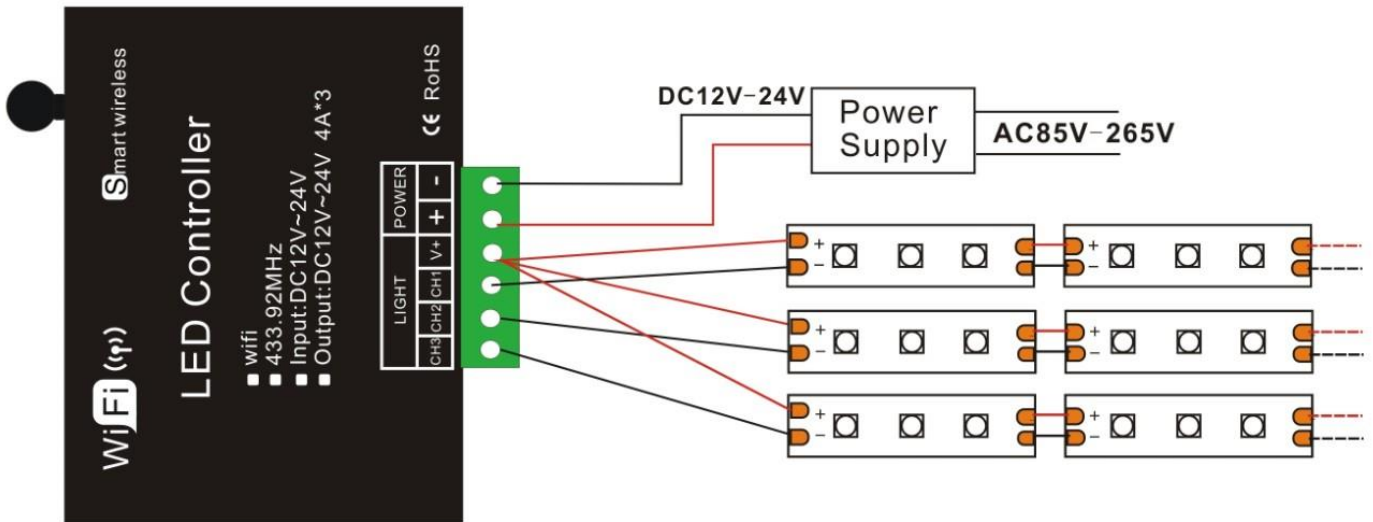
(1) RGB connection: connect CH3→B、CH2→G、CH1→R、V+→COM;



(2) CCT connection: connect CH2→WC、CH1→WW、V+→COM;



(3)DIM connection: connect CH1→V-, CH2→V-, CH2→V-, V+→V+;



4. RF remote control operation illustration

1) RGB full touch remote control:

Adopt RF touch control, with one color ring and 5 function buttons.



The function of each button as below:

Name of key	Instruction	Remarks
ON/OFF	ON or OFF in any time	
Pause	Pause or Continue	
Mode	The mode will go to next, when you touch the key each time	9 modes in total.
Speed/Brightness +	The Speed/Brightness will add, when you touch the key each time	Speed for dynamic modes, Brightness for static modes.
Speed/Brightness -	The Speed/Brightness will subtract, when you touch the key each time	Speed for dynamic modes, Brightness for static modes.
Color Ring	Touch any color which you want	

9 modes as below:

No	Patterns	Remarks
1	Static worm white	Brightness is adjustable, speed is unadjustable
2	Static cool white	
3	White breath	Speed is adjustable, brightness is unadjustable
4	Seven-color jumpy changing	
5	Seven-color smooth	
6	Seven-color fade	
7	R/B cross fade	
8	B/G cross fade	
9	G/R cross fade	

2) CT full touch remote control:

Adopt RF full touch remote control with one color temperature ring and 5 function buttons.



The function of each button as below:

Name of key	Instruction	Remarks
ON	Turn on the device in any time	
OFF	Turn off the device in anytime	
Mode	The mode will move to next, when touch the key each time	9 modes in total.
Speed/Brightness +	The Speed/Brightness will +1, when touch the key each time	Speed for dynamic modes, Brightness for static modes.
Speed/Brightness -	The Speed/Brightness will -1, when touch the key each time	Speed for dynamic modes, Brightness for static modes.
Color Ring	Touch any color temperature which is wanted.	

9 modes in total as below:

NO	Patterns	Remarks
1	Static warm white and cool white	Brightness is adjustable, speed is unadjustable
2	Warm white and cool white flash	Speed is adjustable, brightness is unadjustable
3	Warm white and cool white fade	
4	Warm →cool flash	
5	Warm →cool fade	
6	Static warm white, cool white flash	
7	Static warm white, cool white fade	
8	Static cool white, warm white flash	
9	Static cool white, warm white fade	

3) Dimming full touch remote control:

Adopt RF full touch remote control with one dimming ring and 5 function buttons.



The function of each button as below:

Name of key	Instruction	Remarks
ON/OFF	ON or OFF in any time	
Pause	Pause or Continue	
Mode	The mode will move to next, when touch the key each time	3 modes in total.
Speed/Brightness +	The Speed/Brightness will +1, when touch the key each time	Speed for dynamic modes, Brightness for static modes.
Speed/Brightness -	The Speed/Brightness will -1, when touch the key each time	Speed for dynamic modes, Brightness for static modes.
Color Ring	Touch any color temperature which you want	

3 modes in total as below:

NO	Patterns	Remarks
1	Static 100% light	Brightness is adjustable, speed is unadjustable
2	flash	Speed is adjustable, brightness is unadjustable
3	fade	

This series RF full touch remote control will sleep down in more than 20 seconds no used to save the energy. In this case, the touch ring will be no reaction, please touch any one of the 5 function buttons to wake up the remote control firstly.

Product information for placing order

Product name	Item number
WIFI-LED Controller	A40-WIFI-xxx