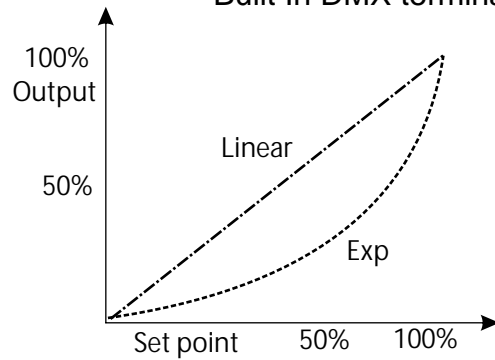


# RGBW Led Controller

- 3-4 Output Channels
- 24V PWM Output Common Anode
- Dali - DMX - Push inputs
- Linear or Exponential regulation
- Slave Mode
- Test or Continuous Cycle mode
- Built In DMX terminator

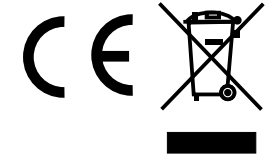
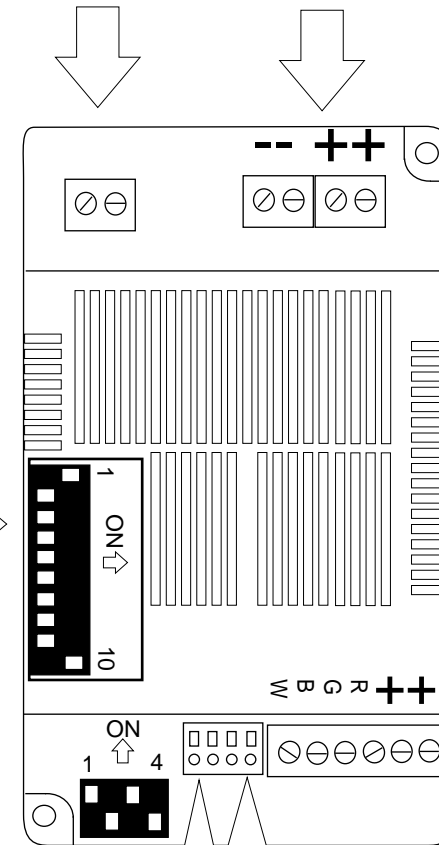


Linear / Exponential scale

## MODE Selector

1	2	3	4	MODE selector
OFF	OFF	OFF	-	DALI
ON	OFF	OFF	-	DMX Linear Scale
ON	OFF	ON	-	DMX EXP Scale
OFF	ON	OFF	-	Push Linear Scale
OFF	ON	ON	-	Push EXP Scale
ON	ON	OFF	-	Test or Cicle
ON	ON	ON	-	Slave
			ON	DMX terminator ON

DALI Input      DC Input 12..24V



DMX Address

MODE Selector

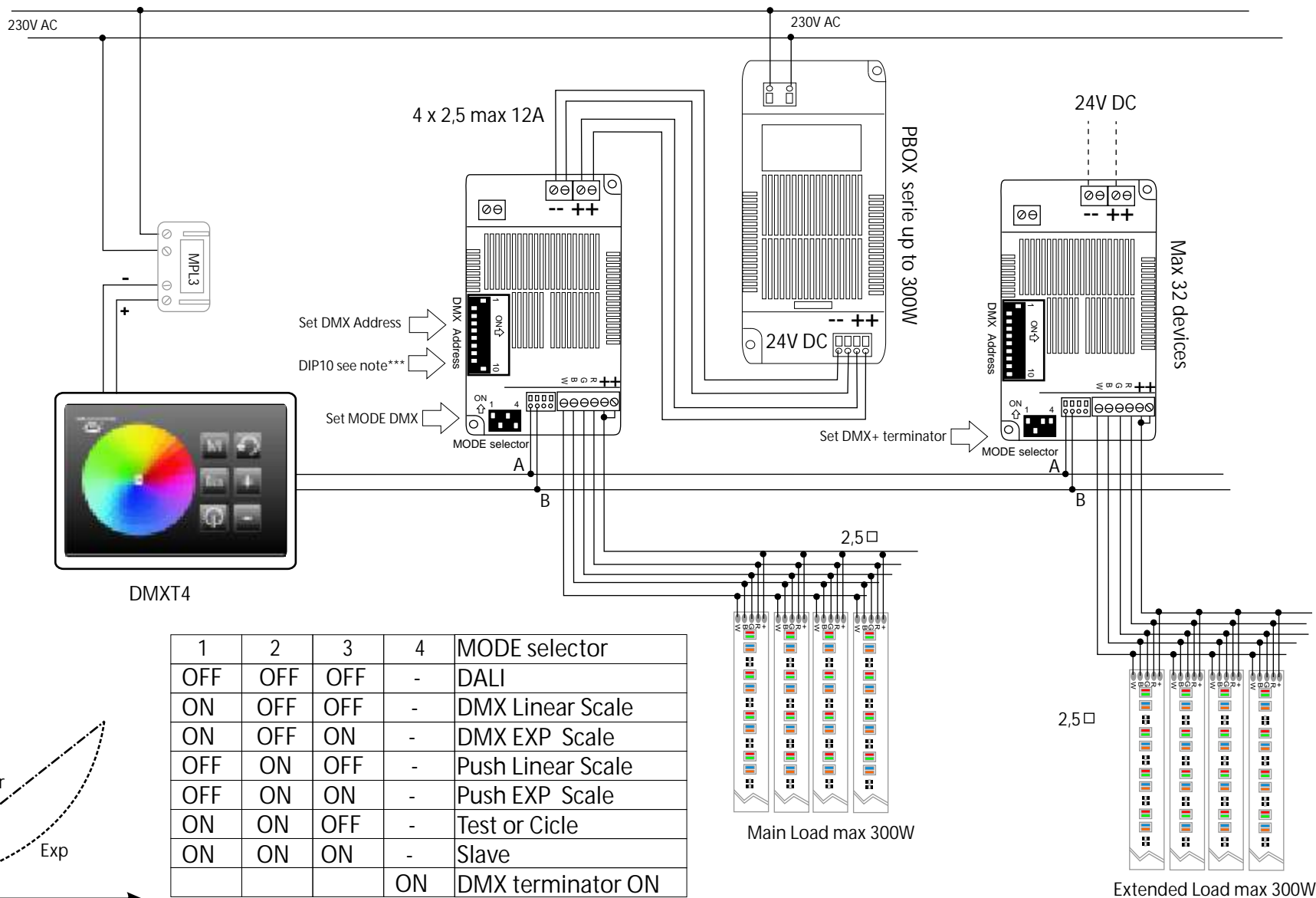
DMX Input

Push Button Input

Low Voltage Output  
24V PWM  
Common Anode

Ingresso: selezionare con i dip switch l'ingresso desiderato, spegnere e riaccendere l'apparecchio dopo le modifiche.  
 Control input: Select input mode by dip-switches. Switch off and on the device when selection has changed.  
 Gewünschte Eingangsdimmung durch Dipswitches einzusetzen. Nach einer neue Dipswitch-Einstellung das Gerät aus- und noch einschalten.  
 Entrée: sélectionner l'entrée souhaitée par les dip switch. Eteindre et reallumé l'appareil après changement de sélection.  
 Entrada: seleccionar la entrada deseada con los dip switches. Apague y vuelva a encender después de los cambios

3-4CH  
RGB  
RGBW



Note \*\*\*DIP 10 ON : DMX signal GRB , DIP 10 OFF DMX signal RGB

Mod:306\_5

INTRGBOX + RGBA or RGBW DMX controlled system with extension ( optional)



