

Mode functions Dimmer WALL

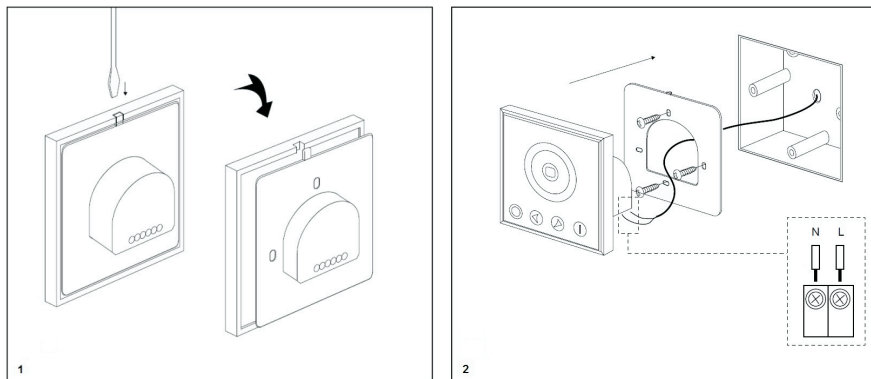
No	Patterns	Remarks
1	Fade	Speed is adjustable, brightness is unadjustable
2	Flash	

Mode functions CCT WALL

No	Patterns	Remarks
1	All color s flash	Speed is adjustable, brightness is unadjustable
2	Two color s flash	
3	All color s fade	
4	Two color s fade	

Mode functions RGB Wall

No	Patterns	No	Patterns
1	Static white	6	Seven -color gradient changing
2	White breath	7	R/G cross fade
3	Three -color jump changing	8	R/B cross fade
4	Seven -color jump changing	9	G/B cross fade
5	Three -color gradient changing		



Code Pairing operation . Be sure only the device to match is switched ON

Step	Operation	Instructions
1	Connecting the load to the receiver and power on it.	1.It is necessary to clear the code first, if the receiver was coded before. 2.Batch operation can be performed within the remote control range.
2	Press and hold "ON" on the remote control for 5 seconds, the indicator of the remote control will flash quickly, means it enters the pairing code transmission status.	Will automatically exit code transmission status after 60 seconds, or pressing any key to exit.
3	See the load light flashes 3 times and return to the initial state .	Pairing coding is finished successfully .

Code clearing operation

Step	Operation	Instructions
1	Connecting the load to the receiver and power on it.	1. The clearing operation should be finished within 1 minute after the receiver is powered on. If exceeds the time, can be powered on again. 2. Batch operation can be performed within the remote control range.
2	Press and hold the remote control "Off" for 5 seconds. The indicator of the remote control flashes quickly, means it enters the clearing code transmission status.	1. Will automatically exit code transmission status after 60 seconds, or pressing any key to exit. 2. If the original remote control is lost, the new remote control can be used for clearing operations.
3	See the load light flashes 3 times and return to the initial state .	Clearing coding is finished successfully .

Code learning operation between two remote controls

Step	Operation	Instructions
1	A remote control Press and hold "ON" on the remote control for 5 seconds, the indicator of the remote control will flash quickly, means it enters the pairing code transmission status.	Will automatically exit code transmission status after 60 seconds, or pressing any key to exit.
2	B remote control: long press "mode key" for 5 seconds, the remote indicator light changes from 100% light to off light, means entering the code value receiving state	Will automatically exit the code value receiving state after 30 seconds, or exit after learning code value successfully.
3	See the B remote control indicator light flashes 3 times	Code copying is finished and exit code value receiving status.

Restore factory setting

Step	Operation	Instructions
1	Long press "mode " for 20 seconds.	The remote indicator light dim and flashes continuously until the 20th second and then back to 100% light. Means this step is finished.
2	Press the "OFF" to confirm, the remote indicator light flashes 3 times.	Restore factory settings successfully.