

Technical details

Product No.	A41DOB2433R3
Led Q.ty (LEDs/m)	336
Led Type	2022 (DOB)
Power (W/M)	14
Voltage (V)	24 ±3%
Current (mA/M)	583mA
Lenght/Reel (M)	5
Beam	120°
Water-proof rating	IP62

<p>Non-directional or directional light source:</p> <p>Mains or non-mains light source:</p> <p>Dimmable:</p> <p>Cables type:</p> <p>Pcb material:</p> <p>Tape type:</p> <p>Protection against electric shock:</p> <p>Version:</p> <p>Safety isolating:</p> <p>Lumen maintenance factor:</p> <p>Survival factor:</p> <p>Nominal lifetime LM-80:</p> <p>Photobiological Safety (Blue light hazard) according to IEC TR 627778:</p>	<p>Non-directional (NDLS)</p> <p>Non-mains (NMLS)</p> <p>Only with specific LED drivers</p> <p>PVC 80°C 20AWG lenght 36cm (double ended)</p> <p>COPPER</p> <p>3M 9080</p> <p>Class III</p> <p>Integral</p> <p>See electronic controlgear</p> <p>96%</p> <p>100%</p> <p>L70 B50 >54000 h</p> <p>Risk Exempt (RG0 group)</p>
--	---

LED STRIPS – DOB - LED 2022 – 24V – RGB+W – IP62

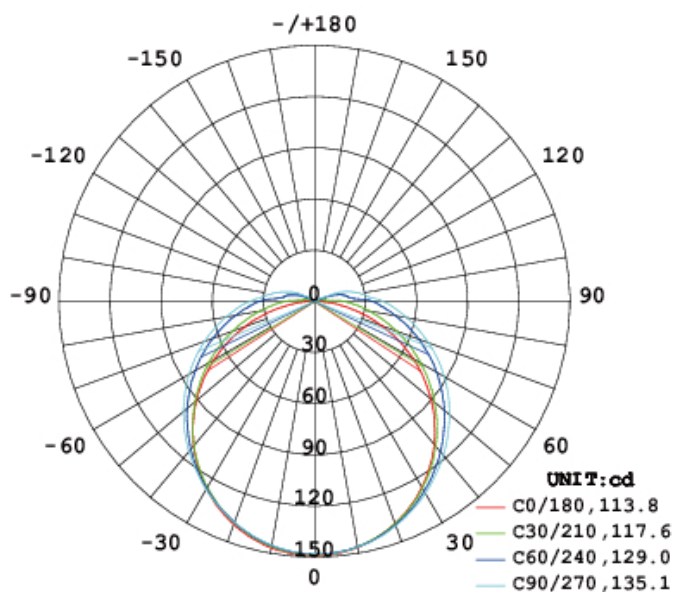
Lumens per meter

Color Temperature	A41DOB2433R3
WHITE 3000K	240 lm
RED	50 lm
GREEN	205 lm
BLUE	45 lm
RGB+W	560 lm

● Due to tolerances of the production process and the electrical components, values for light output and electrical power can vary up to 10%.

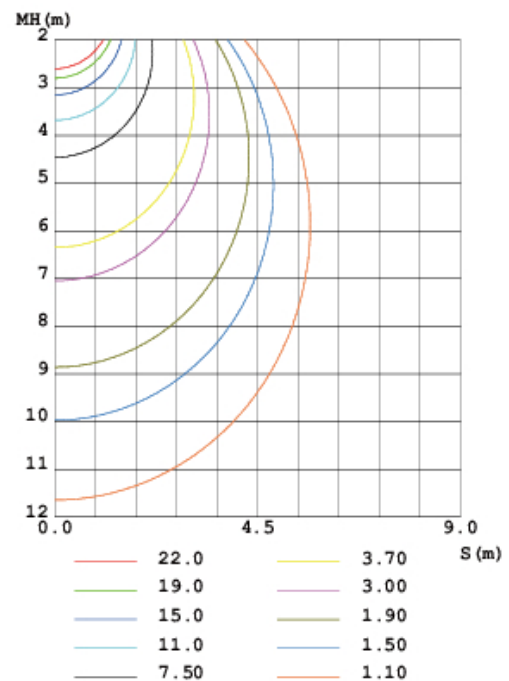
Light distribution

LUMINOUS INTENSITY DISTRIBUTION DIAGRAM



AVERAGE BEAM ANGLE (50%) : 123.9 DEG

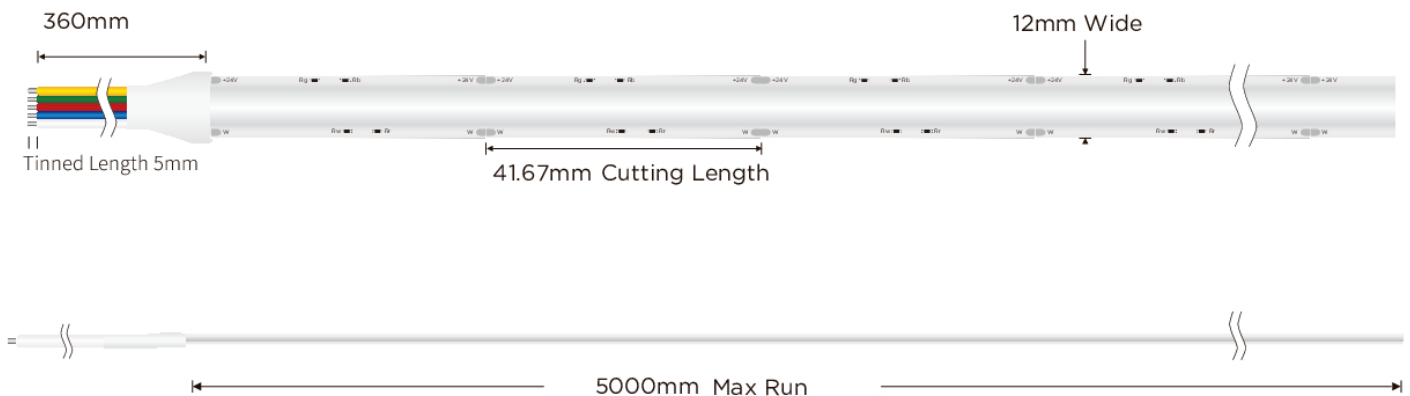
CO PLANE ISOLUX DIAGRAM (UNIT:lx)



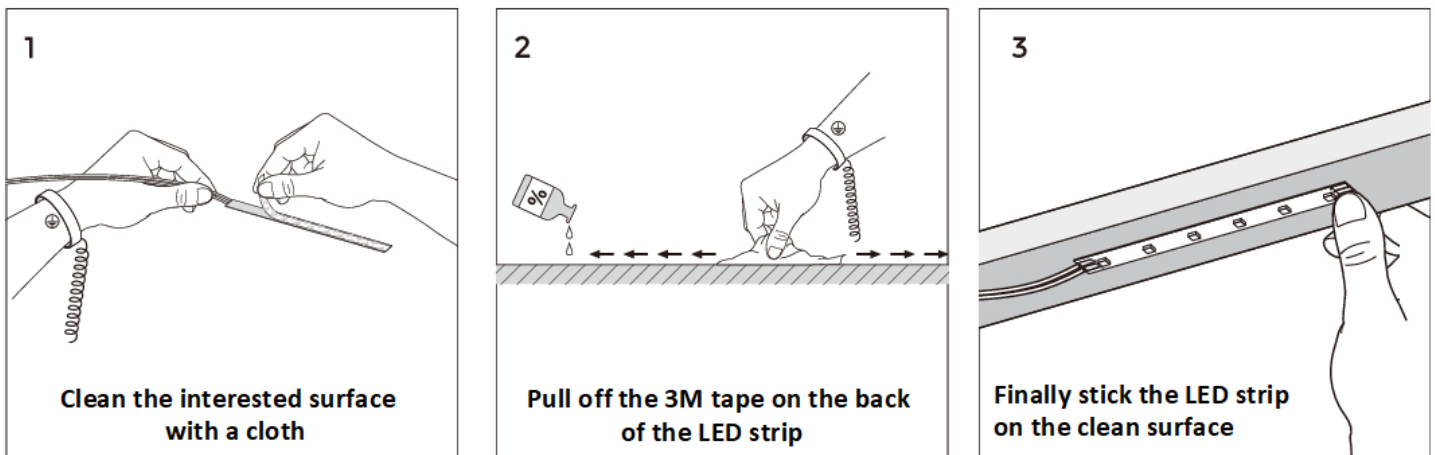
Working conditions

Working Temperature (°C)	-20 ÷ 50
Storage Temperature (°C)	-30 ÷ 80
Voltage Range (Vdc)	23 ÷ 25
Reverse Voltage (Vdc)	25
Reference temperature (Tc)	80° C

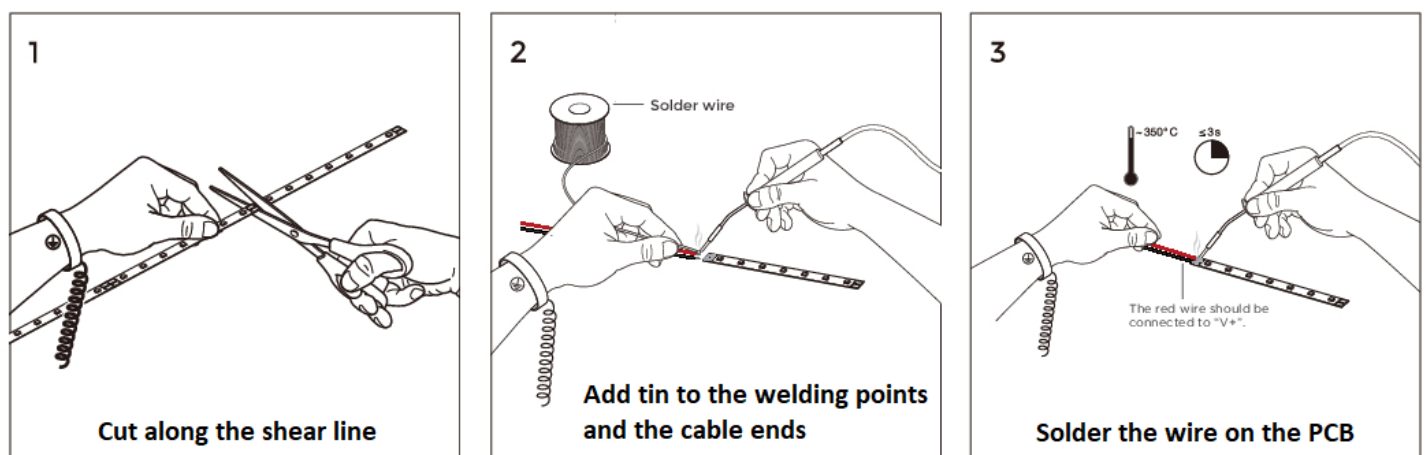
Dimensions and cutting

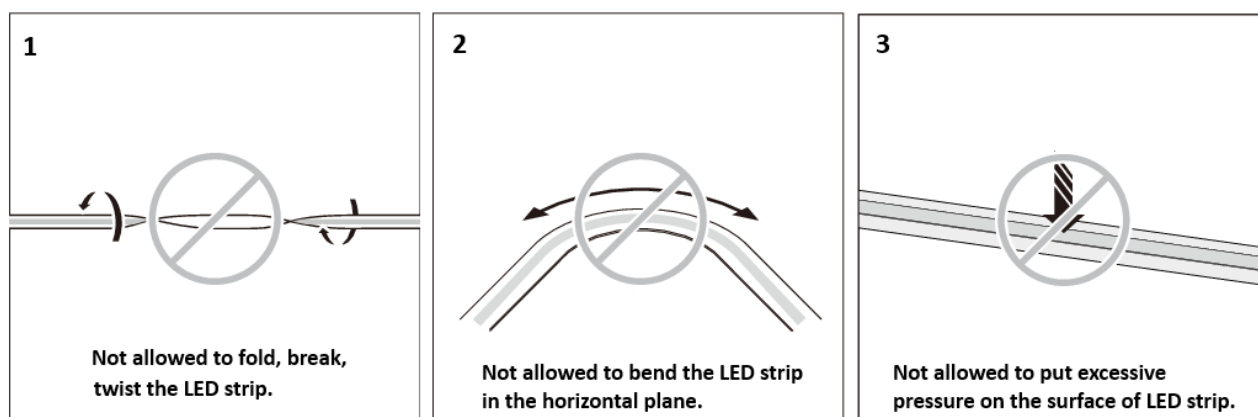


Installation



Cutting



Cautions

Product weight / 5m reel

A41DOB2433R3	405 gr.
--------------	---------

Energy labelling (EU 2019/2015) and Ecodesign (EU 2019/2020) regulations

Part Number	N° EPREL	EU 2019/2015 Energy rating	EU 2019/2020 Compliance
A41DOB2433R3	2532774	G	COMPLIANT

The scan of the QR Code on the energy label of the product refers directly to the description of the model in the EPREL (EU Product Database for Energy Labelling) database, where it is possible to download the energy labels and the information sheet of the product.

In alternative, it is possible to access the database using the model registration number (EPREL ID), which you can obtain from the product supplier.

Just insert in the browser the link <https://eprel.ec.europa.eu/screen/product/lightsources/> and add the EPREL ID after the last slash.