

- 360° uniform lighting
- Matte oil material on the surface with excellent wear resistance

Technical details

Product No.	A41NT18110xx	A41NT23140xx
Led Q.ty (LEDs/m)	360	280
Led Type	2835	2835
Power (W/m)	11	14
Voltage (V)	24 ±3%	24 ±3%
Current (mA/m)	458	583
CRI (Ra)	≥ 90	≥ 90
Lenght/Reel (m)	5	5
Water-proof rating	IP65	IP65
Beam angle	360°	360°
Soldering point	Every 33,33mm	Every 50mm

Non-directional or directional light source:	Non-directional (NDLS)
Mains or non-mains light source:	Non-mains (NMLS)
Dimmable:	Only with specific LED drivers
Cables type:	Silicone 20AWG 35cm white/grey (double ended)
Pcb material:	COPPER
Protection against electric shock:	Class III
Version:	Integral
Safety isolating:	See electronic controlgear
Lumen maintenance factor:	96%
Survival factor:	100%
Nominal lifetime LM-80:	L70 B50 >54000 h
Photobiological Safety (Blue light hazard) according to IEC TR 627778:	Risk Exempt (RG0 group)

LED STRIPS – 360° NEON LED TUBE – IP65 – Indoor

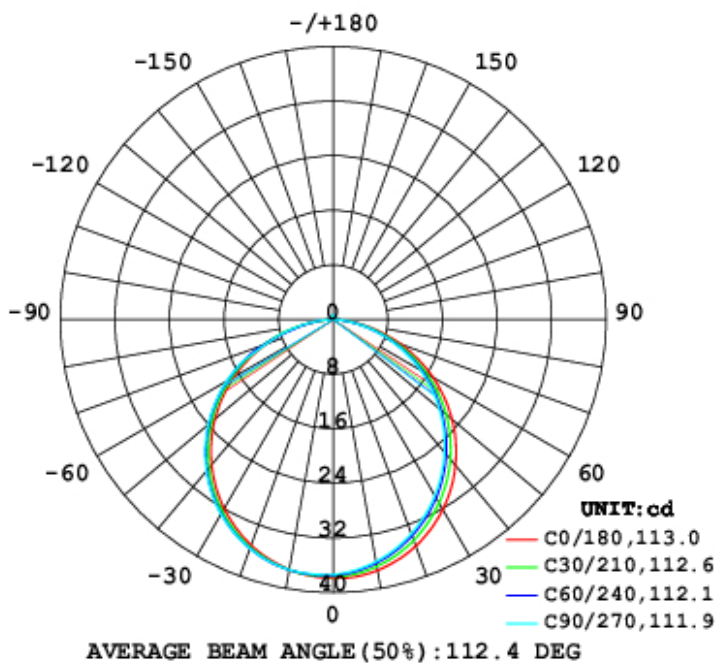
Lumens per meter

Color Temperature	A41NT18110xx	A41NT23140xx
3000K	770 lm	990 lm
4000K	780 lm	1000 lm

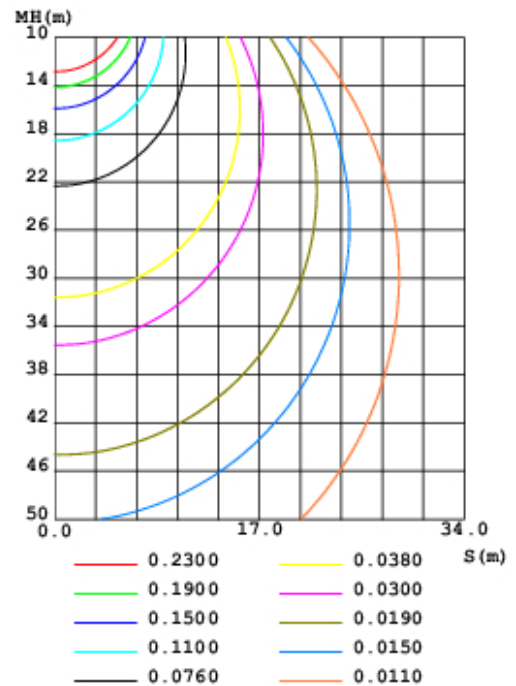
- Note: “xx” = “30” (3000K) / “40” (4000K)
- Due to tolerances of the production process and the electrical components, values for light output and electrical power can vary up to 10%.

Light distribution

LUMINOUS INTENSITY DISTRIBUTION DIAGRAM



CO PLANE ISOLUX DIAGRAM (UNIT:lx)

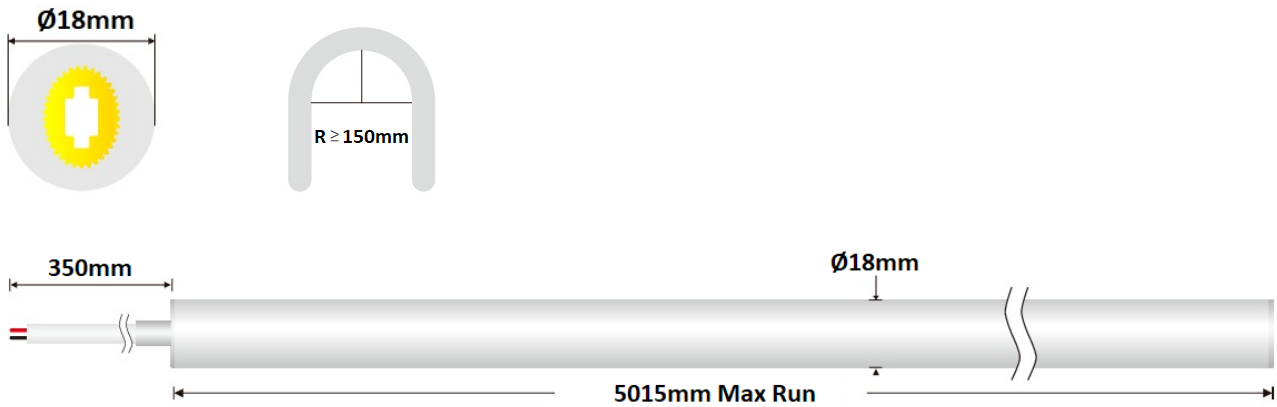


Working conditions

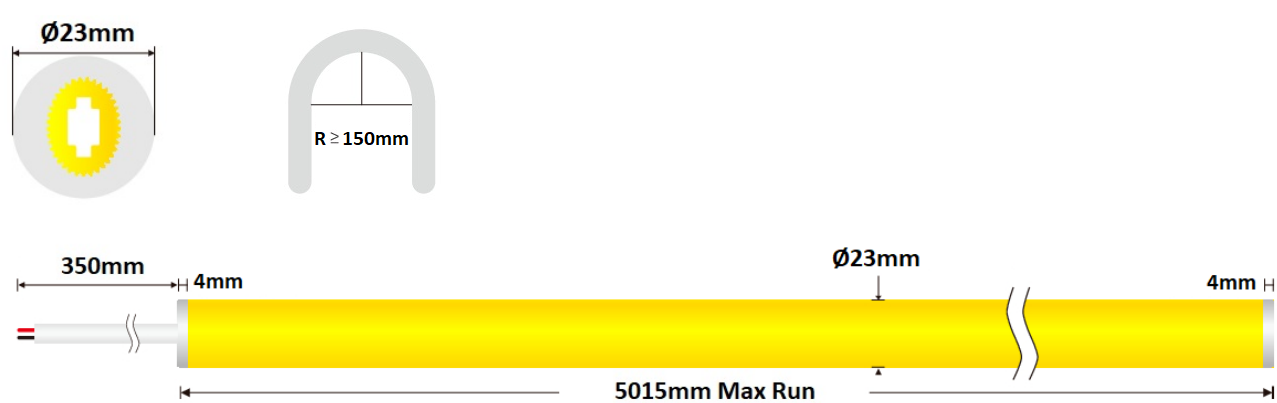
Working Temperature (°C)	-25 ÷ 60
Storage Temperature (°C)	-30 ÷ 80
Voltage Range (V dc)	23 ÷ 25
Reverse Voltage (V dc)	25
Reference temperature (Tc)	80° C

Dimensions and cutting

Ø18mm



Ø23mm



Installation

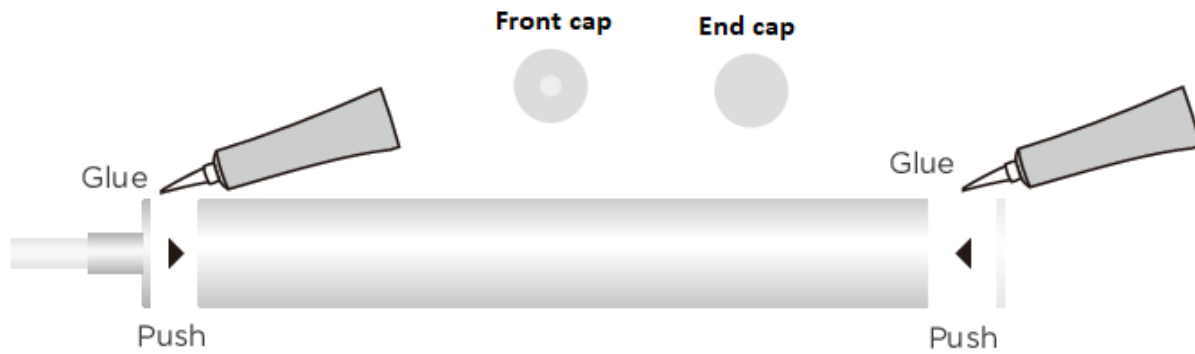
Cutting

- ① Cut the NEON strip at the required length
- ② Cut the side of NEON strip exposing the soldering pad



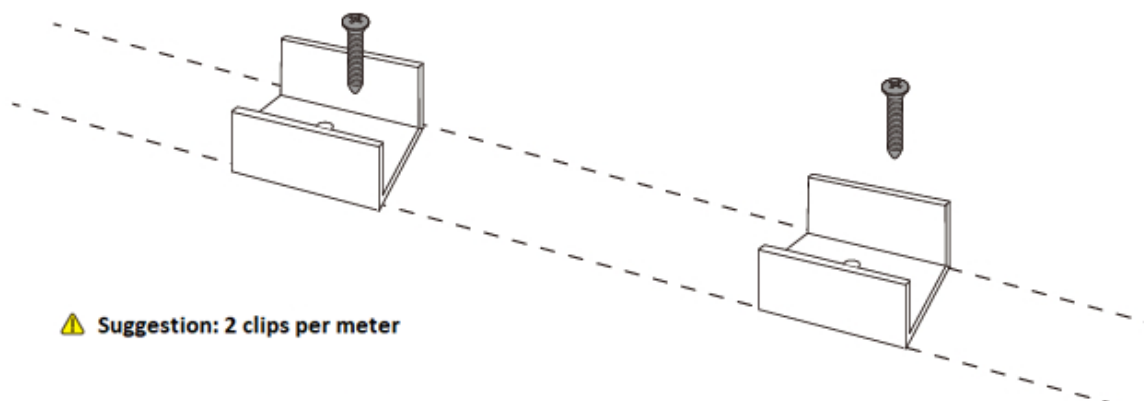
Installing end cap

Apply the glue around the caps and install them



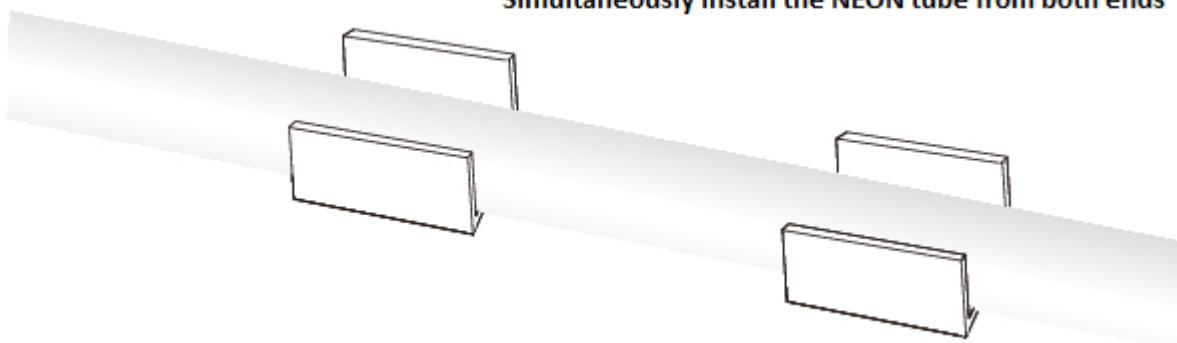
Clips

Fix the clips and the aluminum profile using the screws

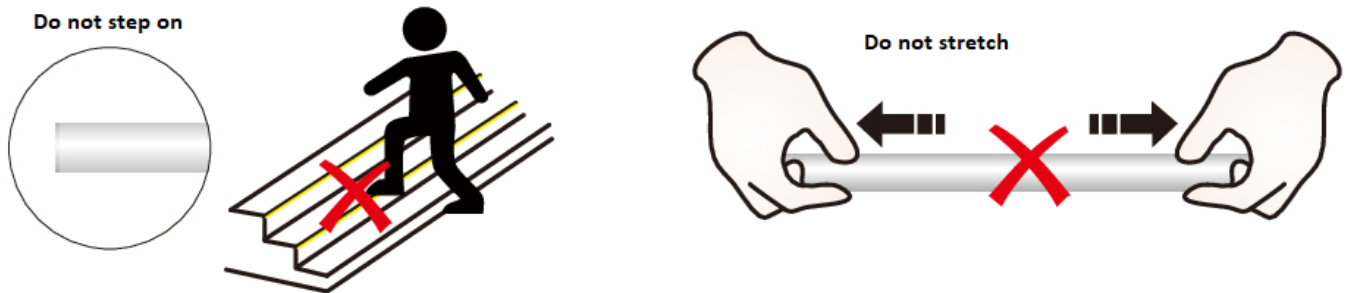


⚠ Suggestion: 2 clips per meter

Simultaneously install the NEON tube from both ends






Cautions



Accessories

[A41KITNT1800 \(for Ø18mm\) / A41KITNT2300 \(for Ø23mm\)](#)

	<p>Front cap (x 2) + end cap (x 2)</p>
	<p>Clip (x 2) + screw (x 4)</p>
	<p>Glue (x 1) + glue nozzle (x 1)</p>

Product weight / 5m reel

<p>A41NT18110xx (packaging included)</p>	<p>1900 gr.</p>
<p>A41NT23140xx (packaging included)</p>	<p>3000 gr.</p>