

# Operation Instructions of WIFI Controller

## 1. Specifications

Working temperature: -20~60°C

Output: 3-5 channels

Grayscale: 1024 levels

External dimension: L160\*W46\*H25 mm

RF frequency: 2.4GHz

Short circuit protection: Yes

PWM frequency: 2KHz, 21.6KHz

TUYA APP for IOS/Android

Supply voltage: DC12~24V

Connecting Mode: Common anode

Speed stage: 1024 levels

Net weight: 110g

RF distance: ≤20m

Memory function: Yes

Max. Output current: PWM=2KHz:4A/CH, PWM=21.6KHz:3A/CH

Max. Output power: 12V:<240W, 24V:<480W

## 2. Interface Specifications



1. Signal indicator status and description: it will light up when operating the remote control; it will stay on after a successful WIFI connection.

2. The 1-3 bits of the DIP switch are used to set the load output type, corresponding to the following:

DIM				CCT				RGB				RGBW				RGBCW			
ON		DIP		ON		DIP		ON		DIP		ON		DIP		ON		DIP	
1	2	3	4	1	2	3	4	1	2	3	4	1	2	3	4	1	2	3	4
OFF	OFF	OFF	X	ON	OFF	OFF	X	OFF	ON	OFF	X	ON	ON	OFF	X	X	X	ON	X

Note: After setting the load output type, the WIFI control function needs to be reset, and the "add device" operation should be performed again in the APP. If the type is switched in the power-on state, the controller will automatically reset, and will directly enter the EZ distribution network state after the load light flashes quickly. For more connection instructions, please refer to the "Direction for use -WIFI Network Operation" section.

3. DIP switch 4 is used to set the PWM frequency of the load output: OFF-2KHz (factory default value), ON-21.6KHz.

PWM=2KHz				PWM=21.6KHz			
ON		DIP		ON		DIP	
1	2	3	4	1	2	3	4
X	X	X	OFF	X	X	X	ON

## 3.Direction for use

1) WIFI controlled by Tuya Application to achieve smart control like group control, scene control, timer control, music control and so on.

Scan QR code from controller to download Tuya application:  (Tuya) and register it to get your home account.

Wi-Fi- Smart Controller can be added using “EZ Mode”- Auto Scan or “AP Mode”-Add Manually.

**EZ Mode:** Press and hold the “Key” button for 5s to restore to the factory setting and enter EZ mode (Rapid Blinking).

**AP Mode:** Unplug and reconnect the power supply and the Wi-Fi Smart Controller 5 times in a short period of time to enter AP mode (Slow Blinking).

Tips:

1. If the Wi-Fi signal is weak or cannot connect with the device using “EZ Mode”, please tap the “EZ Mode” on the top right corner and tap “AP Mode” to enter the AP mode to add the device and follow the App instructions to connect the Wi-Fi Smart Controller to your network.

2. After setting the load output type, the WIFI control function also needs to be reset, and the "add device" operation should be performed again in the APP.

1) If the load type is reset in the power-on state, the controller will automatically reset, and will directly enter the EZ distribution network state after the load light flashes quickly.

At this time, the load light will keep flashing, and the network connecting operation can be performed, or you can press any button on the remote control to exit the network connecting status; if there is no operation, it will automatically exit after 3 minutes

2) If the load type is reset in the power-off state, please refer to the above instruction to connect the network by EZ Mode or AP Mode.

**And compatible with voice control via Amazon Alexa, Google Assistant, Yandex Alice and so on.**

**2) Remote controlled by RF 2.4GHz remote control as below:**

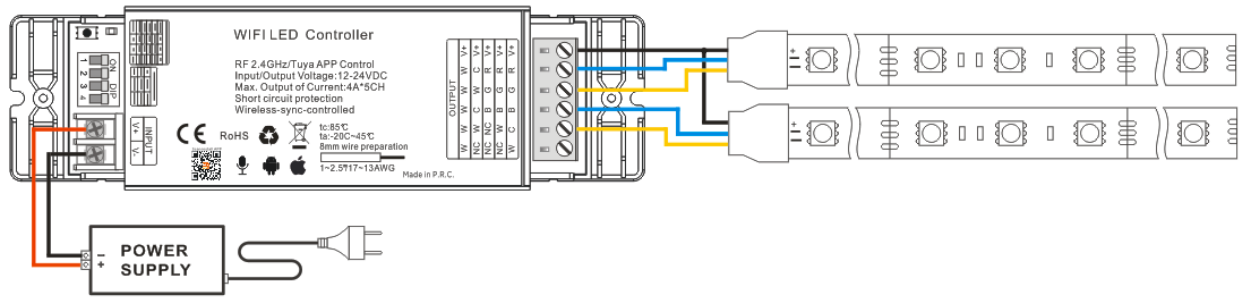
Controller is compatible with 16 items RF remote controls for options, meet for different applications. Please find some options from below recommend.

LED type	Recommend remote control	
Single color		
	RFBT10-2.4G (4-zone)	
CW+WW		
	RFBT10-2.4G (4-zone)	HWP86-RGBCW-2.4G (1-zone)
RGB		
	RFBK-RGB-2.4G (4-zone)	HWP86-RGBCW-2.4G (1-zone)
RGBW/ RGB+W		
	RFBK-RGB-2.4G (4-zone)	HWP86-RGBCW-2.4G (1-zone)
RGBCW/ RGB+CCT		
	RFBK-RGB-2.4G (4-zone)	HWP86-RGBCW-2.4G (1-zone)

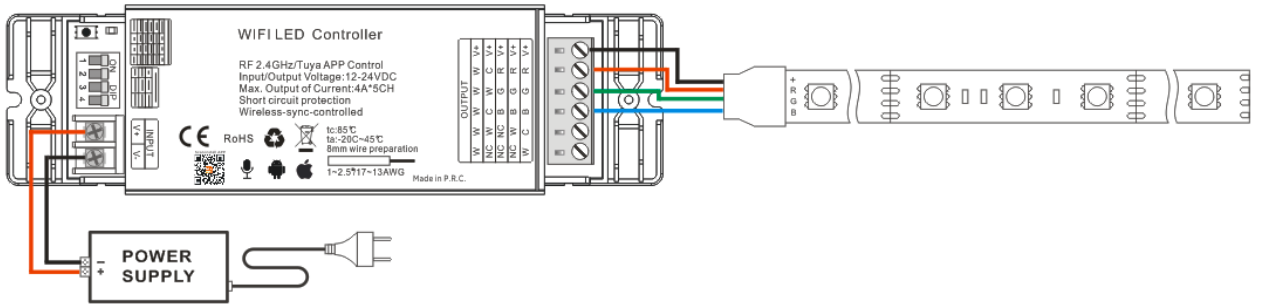
Tips:

1. This controller is also compatible with other remote controls, please contact us for more information.

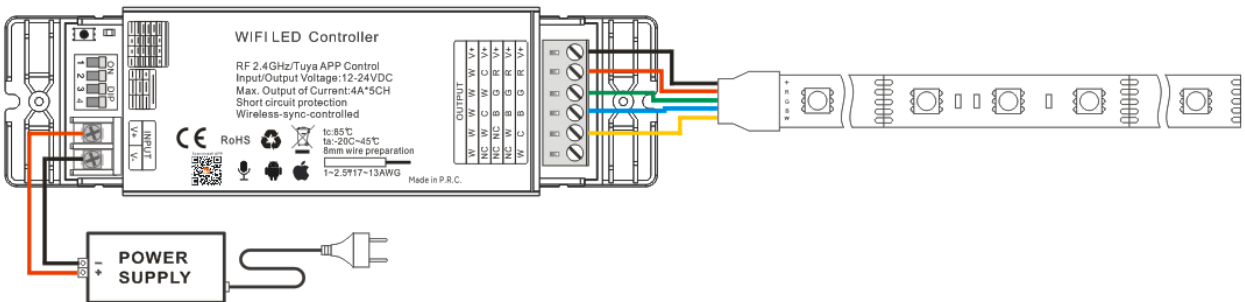




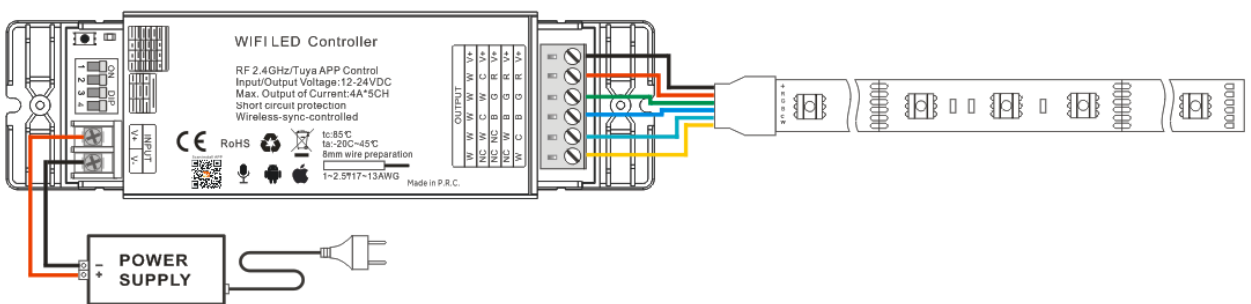
Application Circuit of RGB



Application Circuit of RGBW/RGB+W



Application Circuit of RGBCW/RGB+CCT



## 5. Notice

- 1) The power supply voltage of this product is DC12V ~ 24V, other voltages may damage it;
- 2) The lead-out wires should be correctly wired according to the labels provided in the wiring diagram;
- 3) This product has short-circuit protection function, but it should not be overloaded;
- 4) The warranty period of this product is 3 years, exclude man-made damage or the form of overload work.

Scan QR code to install Tuya App:

