

Wireless DALI Multisensor

- **A40DALISA000**: sistema indipendente (SA - Stand Alone) - Uscita DALI broadcast (max 32 drivers)
- **A40DALIBMS00**: sistema interconnesso per la gestione multi-gruppo e BMS) - Wireless Mesh Network 868 MHz - Uscita DALI broadcast ed indirizzata (max 32 drivers) - Gestione scenari e driver DALI Dev. Type 8 per HCL ed RGB
- Interfaccia wireless Bluetooth LE
- Sensore di movimento PIR per uffici (Hmax 5m)
- Sensore di luminosità ambientale
- Ingresso digitale per il collegamento di un pulsante Touch&Dim
- Configurazione e controllo tramite QLT-SENSE App

Wireless DALI Multisensor

- **A40DALISA000**: Independent System (SA – Stand alone) - DALI Broadcast output (max 32 drivers)
- **A40DALIBMS00**: Interconnected system for multi-group and BMS management - Wireless Mesh Network 868 MHz - DALI broadcast and addressed output (max 32 drivers) - Scenary management and Driver DALI Dev. Type 8 for HCL and RGB
- Wireless Bluetooth Interface LE
- PIR motion sensor for offices (Hmax 5m)
- Ambient light sensor
- Digital input to connect a Touch & Dim push button
- Configuration and control via QLT-SENSE App

Wireless DALI Multisensor

- **A40DALISA000**: Unabhängiges System (SA – Stand allein) - DALI Broadcast Output (max. 32 Treiber)
- **A40DALIBMS00**: Interconnected System für das Multigruppen- und BMS-Management - Wireless Mesh Network 868 MHz - DALI-Broadcast und adressierte Output (max. 32 Treiber) - Scenary Management und Driver DALI Dev. Typ 8 für HCL und RGB
- Wireless Bluetooth Interface LE

- PIR-Bewegungssensor für Büros (Hmax 5m)
- Umgebungslichtsensor
- Digitaler Eingang zum Anschluss eines Touch & Dim Taster
- Konfiguration und Steuerung über QLT-SENSE App

Wireless DALI Multisensor

- **A40DALISA000**: système indépendant (SA – Stand Alone) - Sortie DALI broadcast (max 32 drivers)
- **A40DALIBMS00**: Système interconnecté pour la gestion multi-groupe et BMS - Wireless Mesh Network 868 MHz - Sortie DALI broadcast et adressée (max 32 drivers) - Gestion de scénario et driver DALI Dev. Type 8 pour HCL et RGB
- Interface wireless Bluetooth LE
- Capteur de mouvement PIR pour les bureaux (Hmax 5m)
- Capteur de luminosité ambiante
- Entrée touch pour le branchement d'un bouton-poussoir Touch&Dim
- Configuration et contrôle via QLT-SENSE App

Wireless DALI Multisensor

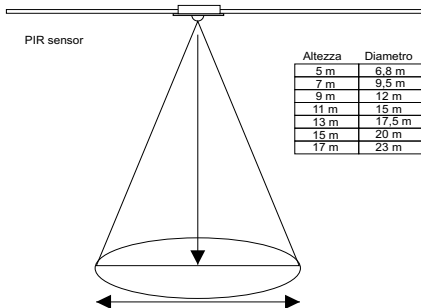
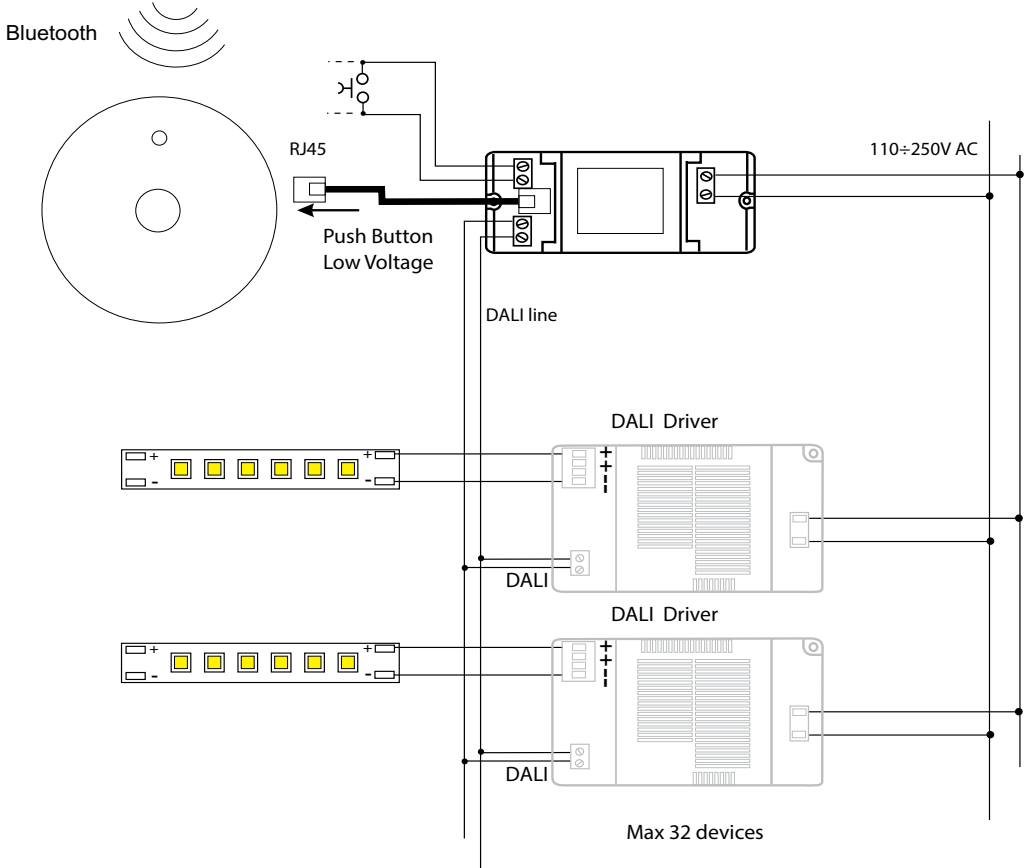
- **A40DALISA000**: sistema independiente (SA - Stand Alone) - Salida de transmisión DALI (máximo 32 drivers)
- **A40DALIBMS00**: sistema interconectado para gestión multi-grupo y BMS - Wireless Mesh Network 868 MHz - Emisión DALI y salida direccionada (máximo 32 drivers) - Gestión de escenarios y drivers DALI Dev. Tipo 8 para HCL y RGB
- Interfaz inalámbrica Bluetooth LE
- Sensor de movimiento PIR para oficinas (H max 5m)
- Sensor de luz ambiental
- Entrada digital para conectar un pulsador Touch & Dim
- Configuración y control a través de la aplicación QLT-SENSE

Part number	Input Vin	Dimensions A x B x C	Dimensions H x D x E
A40DALISA000	110-250Vac	138 x 40 x 28,5	27 x 74 x 82
A40DALIBMS00	110-250Vac	138 x 40 x 28,5	27 x 74 x 82

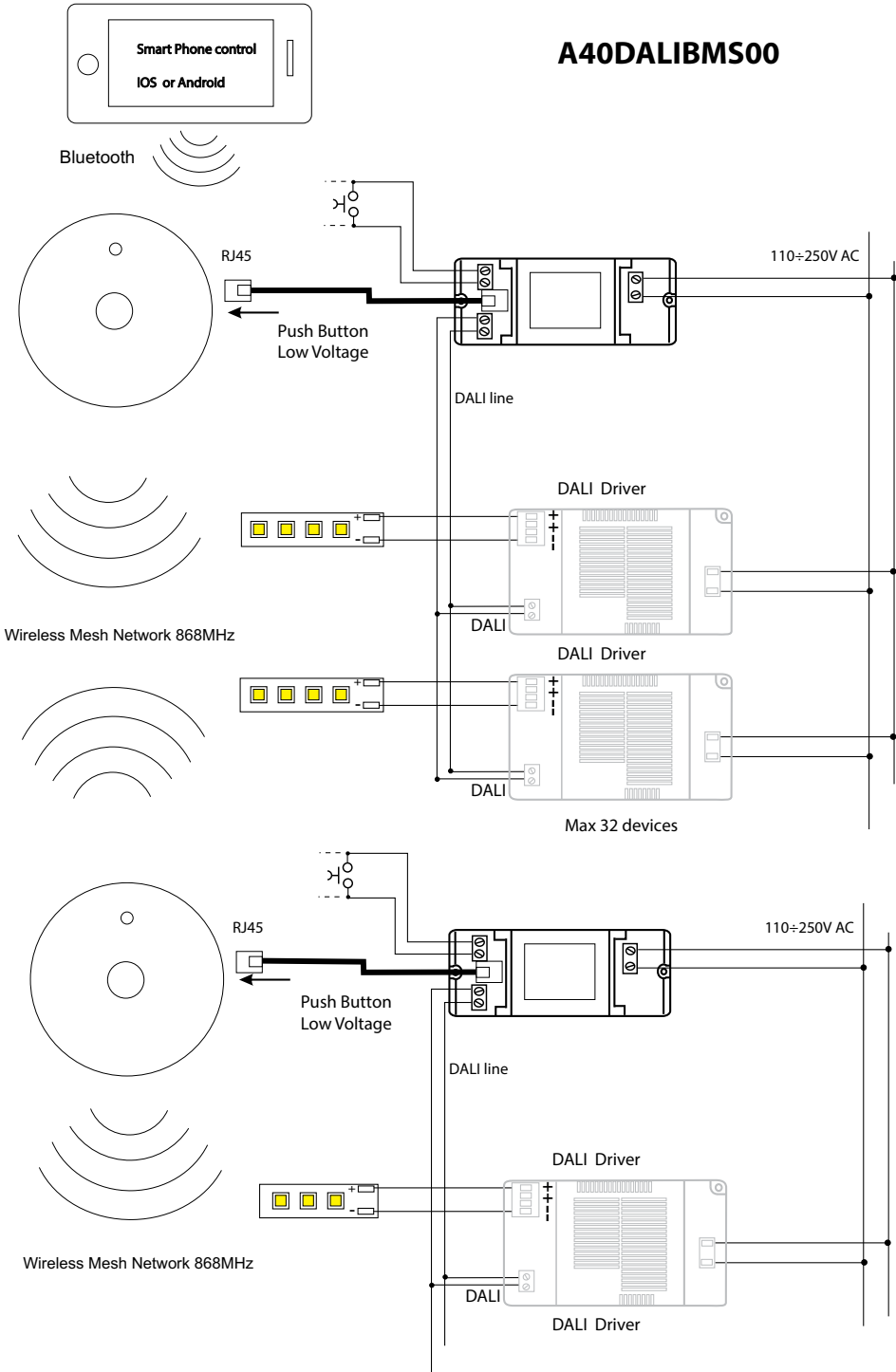




A40DALISA000



A40DALIBMS00



A40DALIBMS00

Wireless Network 868MHz

