

Gruppo di emergenza a Led 24V

- Alimentatore indipendente - IP20 - Classe II d'isolamento
- Uscita in tensione costante 24VDC
- Alimenta pannelli LED e strisce flessibili a LED
- Ingresso per inibizione remota, pulsante di prova e Led di segnalazione multifunzione
- Ingresso per Batteria 7,2V 4A/h, autonomia 3h@60W. Flusso luminoso in emergenza dal 42 al 10%
- Alimentazione: 190÷250V/AC

Emergency Kit for Led 24V

- Independent driver - IP20 - Class II isolation
- Constant voltage output 24VDC
- Controlling LED panels and flexible led strips
- Remote inhibition input, test push button and multifunction LED
- Battery input 7,2V 4A/h, autonomy 3h@60W. Luminous flux in emergency mode from 42 to 10%
- Input voltage: 190÷250V/AC

Emergency Kit für LED 24V

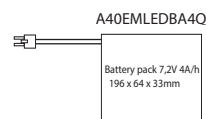
- Unabhängiger Konverter - IP20 - Isolationsschutzklasse II
- Ausgang auf Konstanzspannung 24VDC
- Steuerung von Led-Panels und flexibelne Led-Streifen
- Remote-Hemmung Eingang, Taster und Multifunction Led
- Batterie-Eingang 7,2V 4A/h, Autonomie 3h@60W. Lichtausgang im Emergency Mode von 42 bis 10%
- Speisung: 190÷250V/AC.

Groupe de secours pour à Led 24V

- Alimentation indépendante - IP20 - Classe II d'isolation
- Sortie en tension constante 24VDC
- Alimente les panneaux à LED et rubans Led
- Entrée pour inhibition reportée des lampes, bouton-poussoir d'essai et Led de signalisation multifonction
- Entrée pour Pile 7,2V 4 A/h, autonomie 3h@60W. Flux lumineux en secours de 42 à 10%
- Alimentation: 190÷250V/AC - Sortie stabilisée.

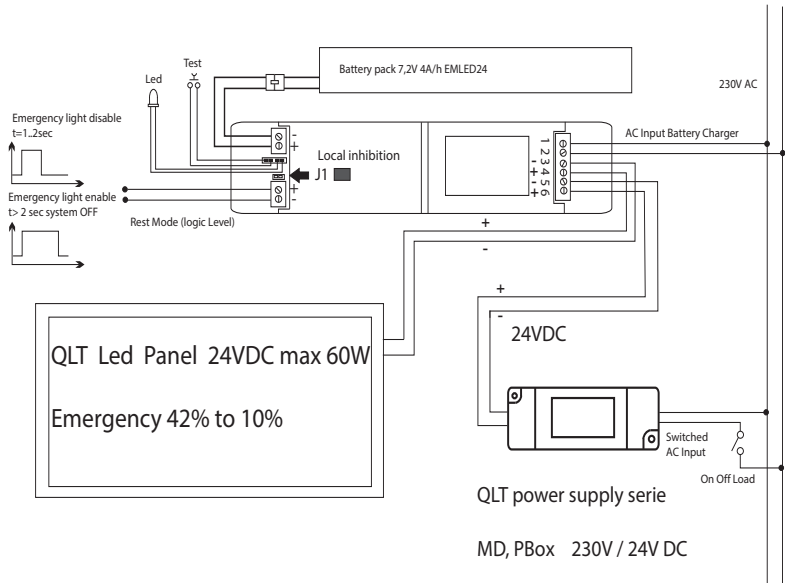
KIT de emergencia para LED 24V

- Alimentacion independiente - IP20 - Aislamiento Clase II
- Voltaje constante de salida 24VDC
- Para alimentar paneles LED y tiras Led.
- Entrada de inhibición remota, botón de test y LED multifunction.
- Entrada de bacteria 7,2V 4 A/h, autonomia 3h@60W. Flujo luminoso de 42 a 10%
- Alimentación: desde 190÷250V/AC - Salida estabilizada.

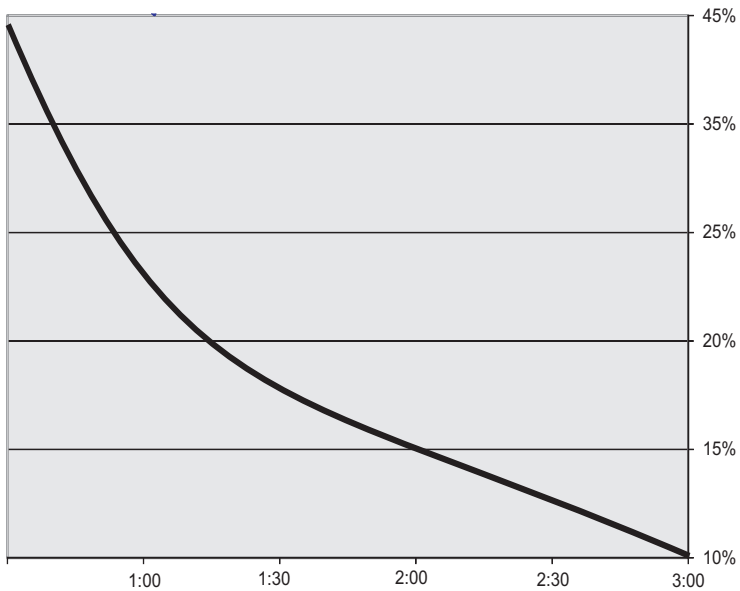


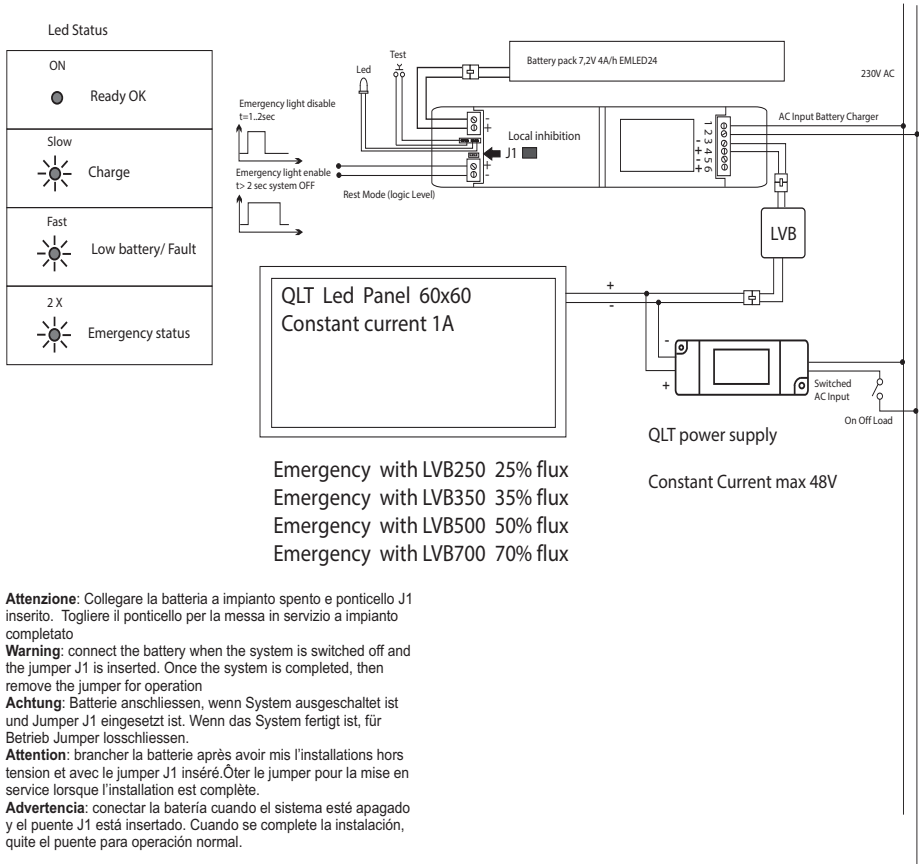
Part number	OUTPUT V	Output (W) Max	Charge Current - Battery	Dimensions A x B x C
A40EMLED240B	24V	42% Load Power	200mA 7,2V 4A/h NiCd	218 x 40 x 28,5
A40EMLEDBA40	Battery pack	-	200mA 7,2V 4A/h NiCd	390 x Ø35
A40EMLEDBA4Q	Battery pack	-	200mA 7,2V 4A/h NiCd	196 x 64 x 33

Led Status	
ON	● Ready OK
Slow	☀ Charge
Fast	☀ Low battery/ Fault
2 X	☀ Emergency status



Output flux vs. Discharge Time





Output flux vs. Discharge Time Led panel 60x60 1A 40W

